



AVC-SFP-TX Datasheet

恩创致力于将先进的信息技术带入工业控制与工业信息领域。



安通恩创信息技术（北京）有限公司

www.avcomm.cn

电子邮箱: sales@n-tron.com.cn

电话: (010) - 82859971

地址: 北京市海淀区马甸东路19号金澳国际公寓3105

Product Features

- Hot-pluggable SFP Footprint
- Fully Metallic Enclosure for Low EMI
- Low Power Dissipation
- Compact RJ-45 Connector Assembly
- Detailed Product Information in EEPROM
- +3.3V Single Power Supply
- Access to Physical Layer IC via 2-wire Serial Bus
- 10/100/1000 BASE-T Operation in Host Systems with SGMII Interface
- Compliant with SFP MSA
- Compliant with IEEE Std 802.3TM-2002
- Compliant with FCC 47 CFR Part 15, Class B
- Compliant with RoHs. Temperature range 0°C to +70°C



Applications

- 1.25 Gigabit Ethernet over Category 5 Cable
- Switch/Route to Switch/Route Link
- High Speed I/O for File Servers

Descriptions

AVC-SFP-TX 1000Base-T SFP Copper Transceiver is high performance, cost effective module, compliant with the Gigabit Ethernet and 1000BASE-T standards as specified in IEEE 802.3-2002 and IEEE 802.3ab, which supports 1000Mb/s data-rate up to 100 m reach over twisted-pair category 5 cable. The Copper SFP Transceiver supports 1000 Mb/s full duplex data-links with 5-level Pulse Amplitude Modulation (PAM) signals. All four pairs in the cable are used with symbol rate at 250Mb/s on each pair. The Copper SFP Transceiver provides standard serial ID information compliant with SFP MSA, which can be accessed with address of A0h via the 2-wire serial CMOS EEPROM protocol. The physical IC can also be accessed via 2-wire serial bus at address ACh. The address of the PHY is 1010110x, where x is the R/W bit.

AVC-SFP-TX SFP transceivers offer a wide range of design options, including Digital Diagnostic Monitoring (DDM) features.

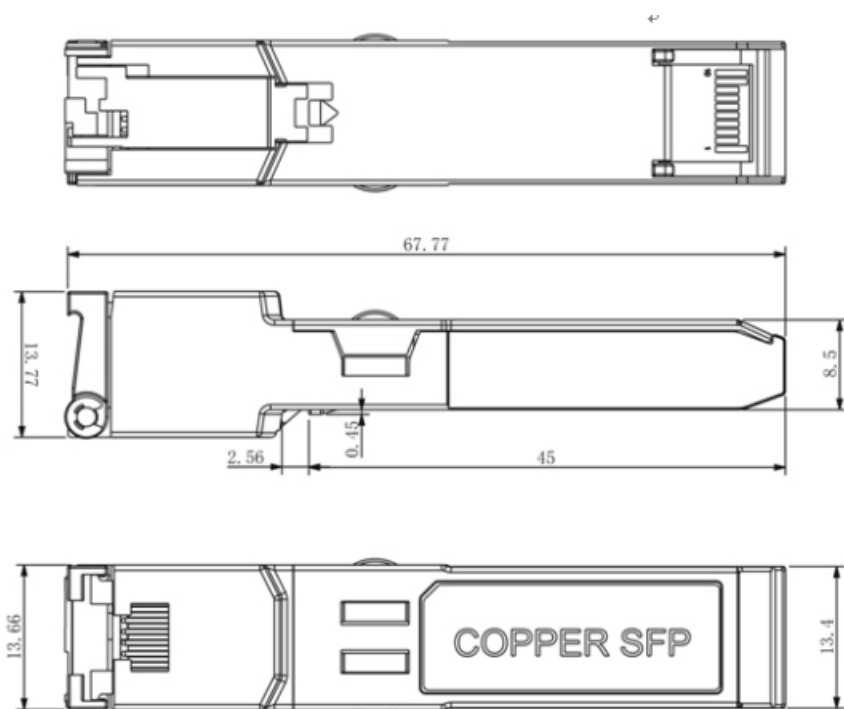
AVC-SFP-TX are compliant with RoHS.

Ordering Information

Model Name	Description
AVC-SFP-TX	1G SFP electrical port module, wide temperature, single-mode 100m
AVC-SFP-TX-D	1G SFP electrical port module, wide temperature, single-mode 100m,DDM

Installation dimensions

Unit: mm



(Unit: mm View: )

